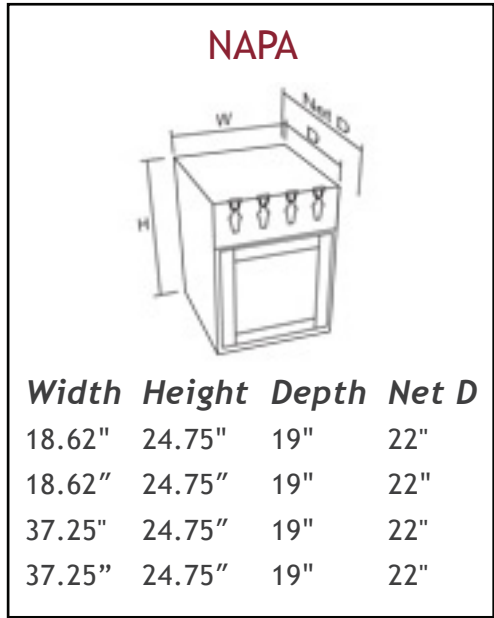
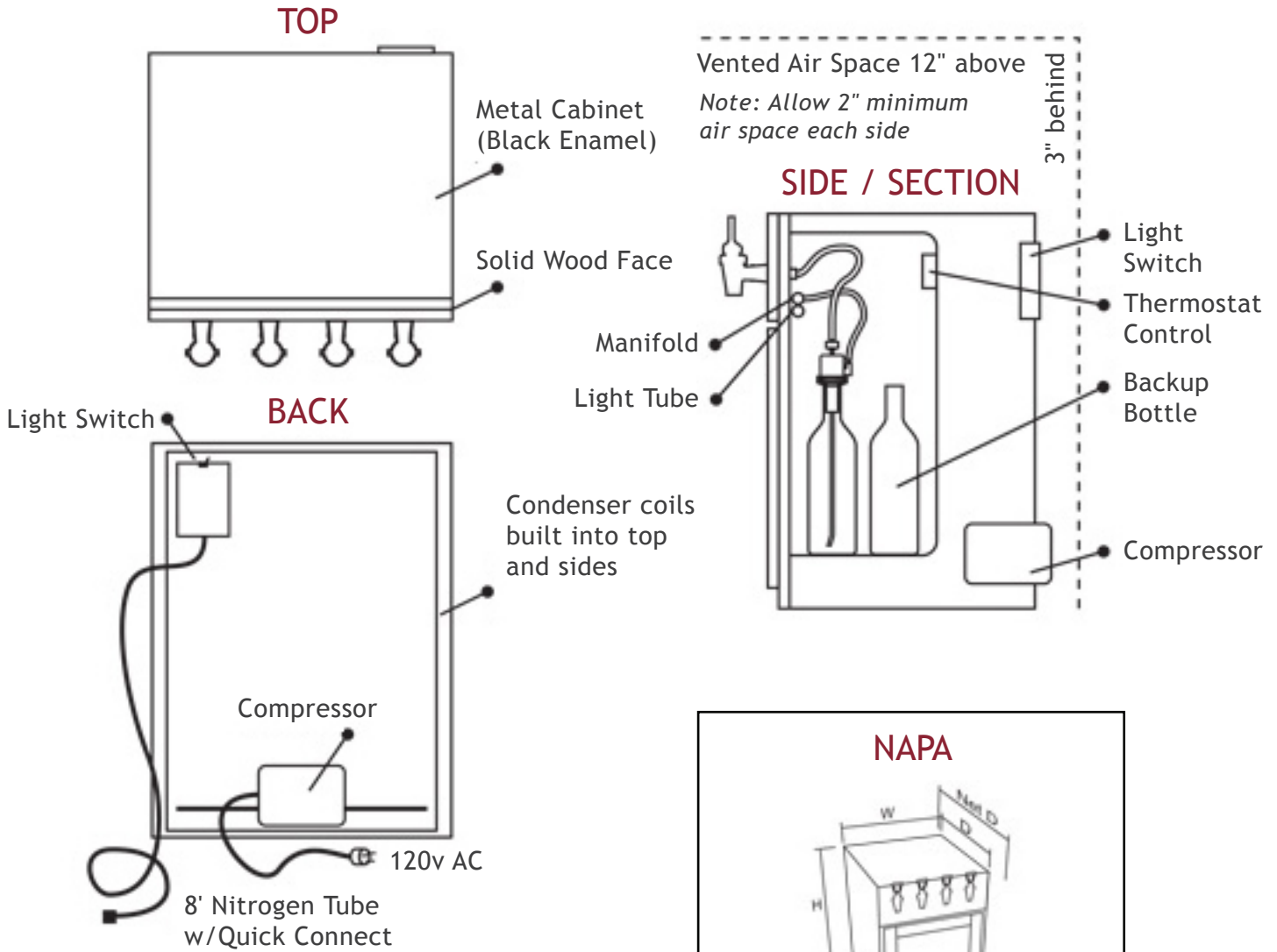


## PRODUCT SCHEMATIC

### THE NAPA



Model	Faucets	Description	Amps	Width	Height	Depth	Net D	Weight
4	4/0 or 0/4	4-Bottle	0.9	18.62"	24.75"	19"	22"	56 lbs
2x2-	2/2	4-Bottle	0.9	18.62"	24.75"	19"	22"	56 lbs
3x3-	Call for info	6-Bottle	1.8	37.25"	24.75"	19"	22"	112 lbs
4x4-	Call for info	8-Bottle	1.8	37.25"	24.75"	19"	22"	112 lbs